

# Clamping Elements Type RCK 15



Designed for use with standardised ranges of pulleys, sprockets, and gears, the shaft clamping elements can accommodate a large range of shaft diameters with a hub of constant bore diameter. On clamping precise axial and radial positioning is provided, combined with medium torque transmission capability.

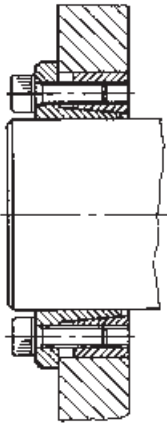
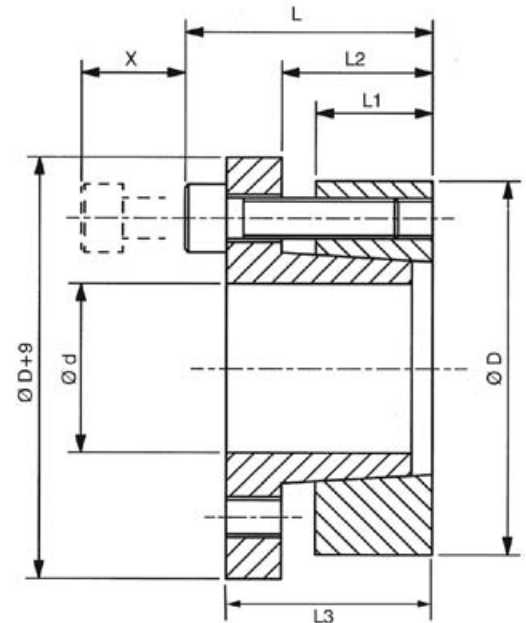
Recommended tolerances for full torque transmission are:-

Shaft h8  
Hub H8

Clamping surfaces to be finished to  $Rz \leq 15 \mu m$ .

Cross & Morse can provide standard Roller Chain Sprockets finish bored to accommodate RCK 15 shaft clamping elements, with ability to fit to either hub or sprocket end.

X = Distance required to remove screws, additional clearance for alan key may be required.



## Dimensions

Part No.	Dimensions mm							Torque Cap. M Nm	Axial Force F kN	Surface Pressure		Clamping Screws		Approx. Weight kg	Min. Hub Dia* mm		
	d	D	L	L <sub>1</sub>	L <sub>2</sub>	L <sub>3</sub>	X			Shaft Ps N/mm <sup>2</sup>	Hub Ph N/mm <sup>2</sup>	Size	Torque Nm		Assy Type A	Assy Type B	Assy Type C
RCK15-14x55	14	55	39	17	22	31	25	282	39	458	118	M8	41	0.51	81	75	69
RCK15-16x55	16	55	39	17	22	31	25	313	39	400	118	M8	41	0.49	81	75	69
RCK15-18x55	18	55	39	17	22	31	25	353	39	356	118	M8	41	0.48	81	75	69
RCK15-19x55	19	55	39	17	22	31	25	372	39	337	118	M8	41	0.47	81	75	69
RCK15-20x55	20	55	39	17	22	31	25	392	39	320	118	M8	41	0.47	81	75	69
RCK15-22x55	22	55	39	17	22	31	25	431	39	290	118	M8	41	0.45	81	75	69
RCK15-24x55	24	55	39	17	22	31	25	470	39	265	118	M8	41	0.44	81	75	69
RCK15-25x55	25	55	39	17	22	31	25	490	39	255	118	M8	41	0.43	81	75	69
RCK15-28x55	28	55	39	17	22	31	25	549	39	228	118	M8	41	0.41	81	75	69
RCK15-30x55	30	55	39	17	22	31	25	588	39	213	118	M8	41	0.40	81	75	69
RCK15-24x65	24	65	39	17	22	31	25	617	51	332	122	M8	41	0.68	97	89	82
RCK15-25x65	25	65	39	17	22	31	25	637	51	320	122	M8	41	0.63	97	89	82
RCK15-28x65	28	65	39	17	22	31	25	725	51	285	122	M8	41	0.61	97	89	82
RCK15-30x65	30	65	39	17	22	31	25	764	51	267	122	M8	41	0.58	97	89	82
RCK15-32x65	32	65	39	17	22	31	25	823	51	250	122	M8	41	0.56	97	89	82
RCK15-35x65	35	65	39	17	22	31	25	902	51	228	122	M8	41	0.53	97	89	82
RCK15-38x65	38	65	39	17	22	31	25	970	51	210	122	M8	41	0.50	97	89	82
RCK15-40x65	40	65	39	17	22	31	25	1029	51	200	122	M8	41	0.47	97	89	82
RCK15-30x80	30	80	41	20	25	33	25	1082	72	315	120	M8	41	1.04	119	109	101
RCK15-32x80	32	80	41	20	25	33	25	1155	72	298	120	M8	41	1.03	119	109	101
RCK15-35x80	35	80	41	20	25	33	25	1260	72	272	120	M8	41	0.98	119	109	101
RCK15-38x80	38	80	41	20	25	33	25	1370	72	250	120	M8	41	0.94	119	109	101
RCK15-40x80	40	80	41	20	25	33	25	1440	72	238	120	M8	41	0.91	119	109	101
RCK15-42x80	42	80	41	20	25	33	25	1510	72	226	120	M8	41	0.89	119	109	101
RCK15-45x80	45	80	41	20	25	33	25	1620	72	212	120	M8	41	0.83	119	109	101
RCK15-48x80	48	80	41	20	25	33	25	1735	72	198	120	M8	41	0.79	119	109	101
RCK15-50x80	50	80	41	20	25	33	25	1806	72	190	120	M8	41	0.74	119	109	101
RCK15-40x80H	40	80	41	20	25	33	25	2157	108	340	169	M8	41	0.89	144	126	111
RCK15-45x80H	45	80	41	20	25	33	25	2422	108	302	169	M8	41	0.85	144	126	111
RCK15-50x80H	50	80	41	20	25	33	25	2700	108	272	169	M8	41	0.78	144	126	111

\*Minimum outside diameter of hubs manufactured in medium carbon steels with yield strength  $\geq 320 \text{ N/mm}^2$ .  
For hub types, and other materials, refer to page 3.  
For assembly and disassembly instructions refer to page 24.

Tel: +44 121 360 0155

Fax: +44 121 325 1079

Email: sales@crossmorse.com